

JUMPKING[®]

TRAMPOLINE LADDER

Model no: ACC-LADF24



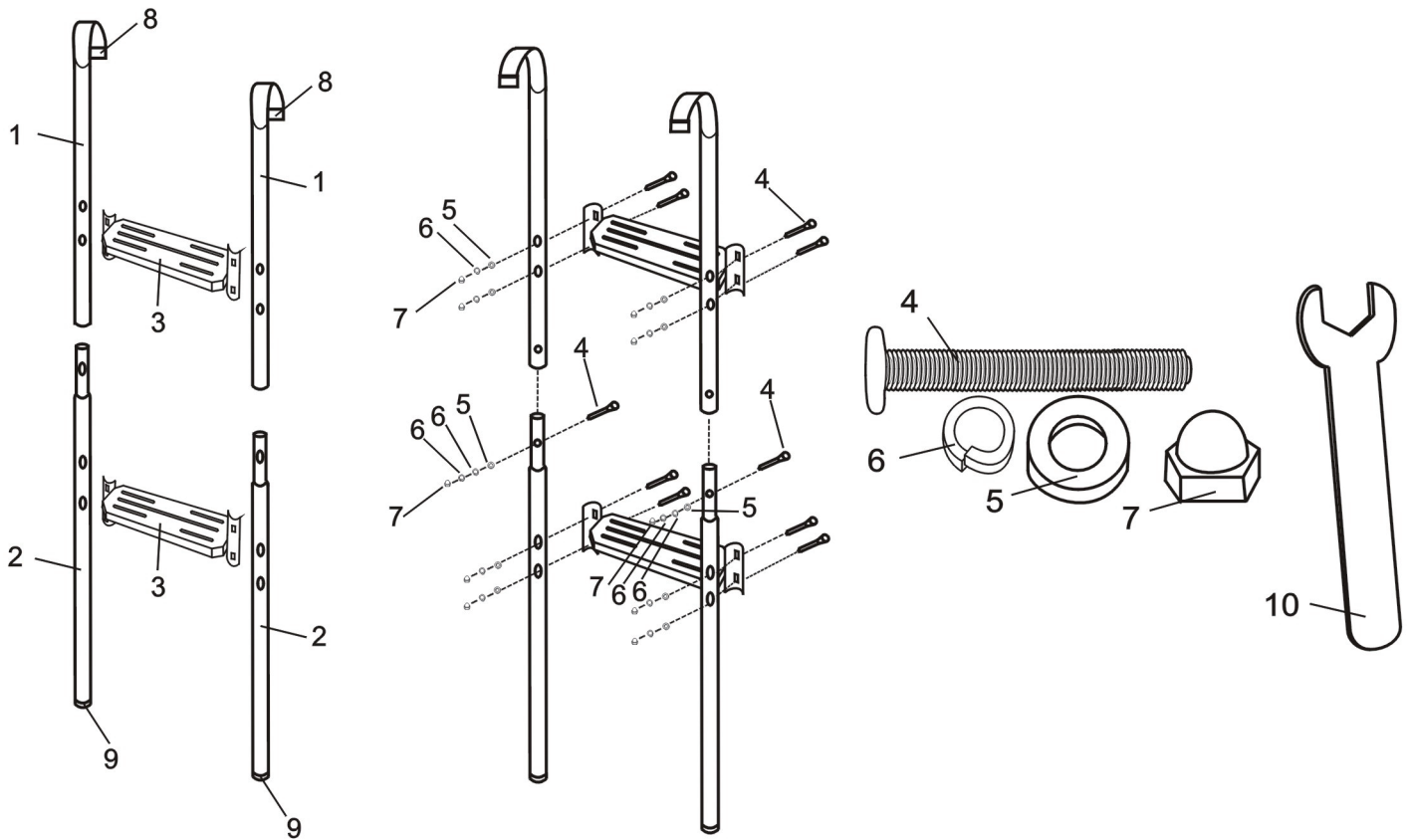
WARNING!

- Ladder allows young children to climb onto trampoline.
- Trampolines are not recommended for children under 6 years of age.
- Do not use ladder if children under 6 years of age are present.
- Remove when trampoline is not in use.
- Please read all instruction prior to assembly.
- Adult supervision is required during assembly.
- Use gloves during assembly to protect hands from pinch points and sharp edges.
- Inspect the ladder before each use, and replace any worn, defective, or missing parts.
- Check for any loose nuts and bolts, tighten if necessary.
- Check all caps and coverings for defects, or deterioration. Replace if necessary.
- The ladder is only to be used for trampoline.
- The ladder is designed for users weighing 100kgs (220lbs) or less.
- Properly secure the trampoline when not in use.
- To protect it against unauthorized use. The supervisor should remove the ladder from the trampoline when leaving the area, or while not in use to prevent unsupervised access by children under 6 years of age.

YJ USA Corp.
3970 Lindbergh Drive
Addison, TX 75001

Please contact us at
www.jumpking.com
contact@jumpking.com

LADDER ASSEMBLE SHEET



Key#	Qty	Description
1.	2	Top Tube
2.	2	Bottom Tube
3.	2	Steps
4.	10	Bolt
5.	10	Flat Washer
6.	12	Lock Washer
7.	10	Acom Cap Nuts
8.	2	Top tube Ladder Hook Cap
9.	2	Bottom Tube Cap
10.	1	Wrench

QUESTIONS?

If you have questions after reading this manual, please contact us at www.jumpking.com

Monday-Friday, 9a.m.-5p.m.